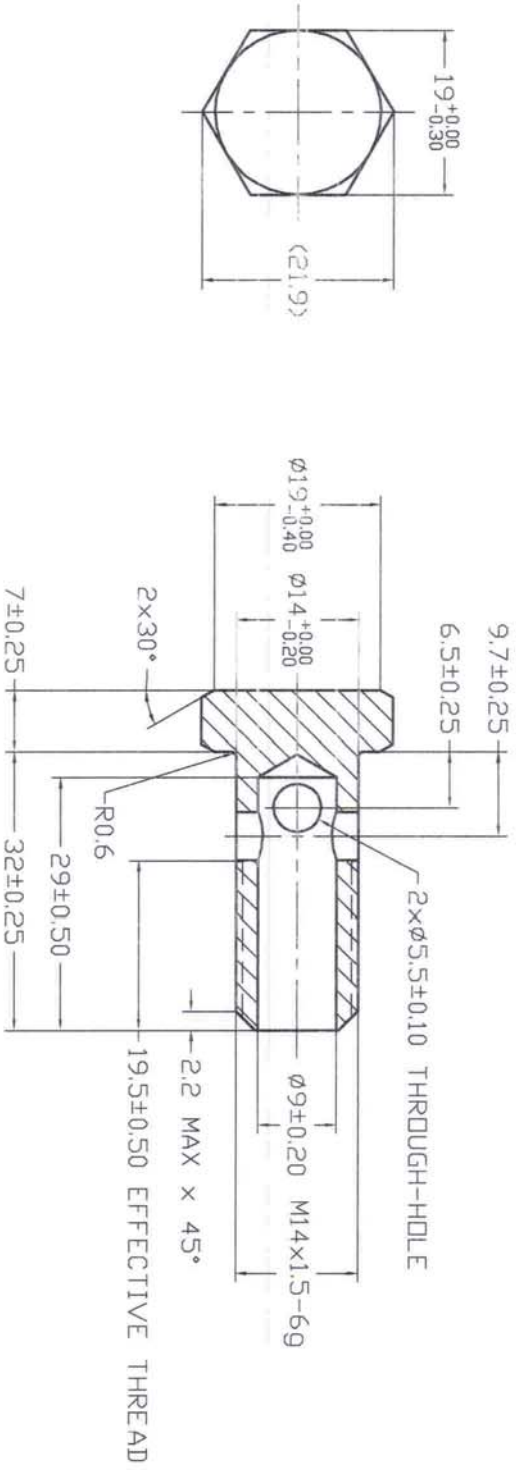


REV	DATE	REVISION DETAILS	APPD



UNLESS SPECIFIED  
 ALL DIMENSIONS IN mm  
 MACHINED SURFACES Ra=3.2um  
 ANGLE TOLERANCES  $\pm 1^\circ$   
 DECIMAL TOLERANCES:  
 .x:  $\pm 0.5$   
 .xx:  $\pm 0.25$   
 .xxx  $\pm 0.127$

MATERIAL Chinese steel 45

FINISH Remove all sharp edges, burrs, slivers and swarf, break all edges 0.127-0.254mm.  
 ZINC PLATED WITH TRIVALENT CHROMATE AND NO RED CORROSION IN 96 HOURS SALT SPRAY TEST.

去除所有毛刺，使用砂轮磨物，锐边倒角0.127-0.254mm。  
 镀三价铬，银白色，96小时盐雾试验无红斑。

PART No 40922-M14

SCALE: NTS

APPD:

Zhangjian

DRN:

Panda  
2013.05.04

DATE: 17/12/13

CHK:

Panda  
2013.05.04